

The promise of precision, every time.



www.mac-weld.com

Revised (09/27/2023)

Orifice Wafer Assembly

A new space saving design to make flow measurement easier.

Mac-Weld's orifice wafer assembly can be installed between 150#-2500# flanges. We can also manufacture these with an integral isolation valve.

Our wafer assemblies combine the primary orifice plate element with the connection and manifold hardware. These units offer a space saving design, with the same quality and reliability Mac-Weld is known for in the industry. Improve accuracy and performance with our new orifice wafer assemblies.

Features & Benefits:

- Compact design
- Manufactured to fit almost any flange material and design
- Can be installed between 150#-2500# flanges
- Fully leak-tested and configured
- Reduced installation costs
- Integral Isolation valves;
3 & 5 Valve H-Style manifolds can also be mounted directly to assembly
- Highly stable and durable
- Direct mount compatible (see factory for details)
- Orifice wafer assembly is suitable for use in liquid, gas or steam services
- Multi-hole orifice plate improves accuracy and dramatically reduces straight pipe requirements



Mac-Weld's Orifice Wafer Assembly
with Single Bore



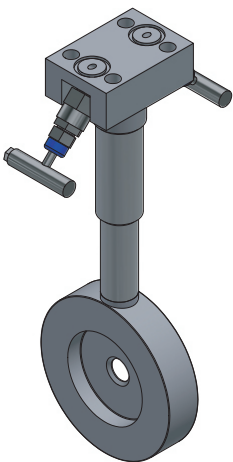
08 = 1/2 NPT • E = A105 Carbon St. • L= 316L

Save on installation and maintenance

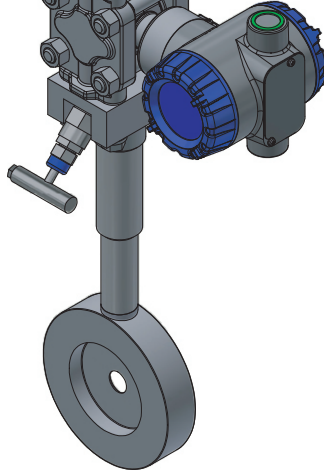
Mac-Weld's orifice wafer assemblies can reduce installation time and maintenance, since they offer the benefits of several key components in one compact unit. Custom sizes and materials also available, see factory for details.

Orifice Flow Meter Specifications:

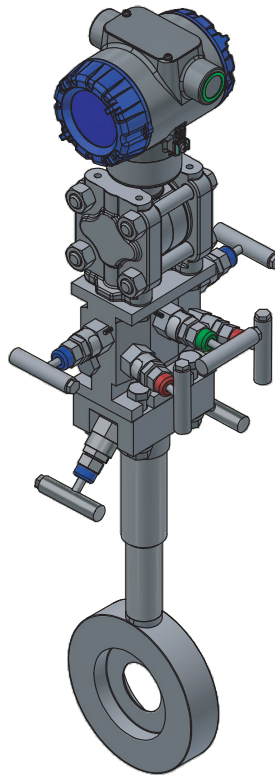
- Size for Flanged Design: 1" - 24"
- Process Flange Materials: SS304L, SS316L, Carbon Steel (A105) and other materials on request.
- Wafer Materials: SS304L, SS316L, Hast C, Monel, Coated or Clad, see factory for details
- Gasket: SS Spiral Wound, PTFE, PVC, Fiber, Rubber, other materials as per special request.



Orifice wafer assembly



Orifice wafer assembly with transmitter



Orifice wafer assembly with H-style valve & transmitter



Recognized globally for our quality, service and the ability to deliver!