

The promise of precision, every time.



www.mac-weld.com

Revised [06/06/2023]

Orifice Carrier Ring

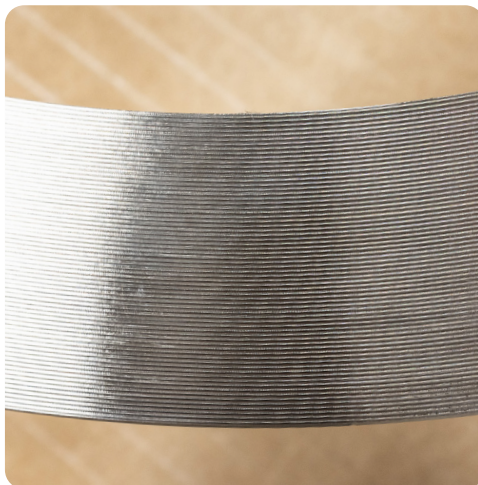
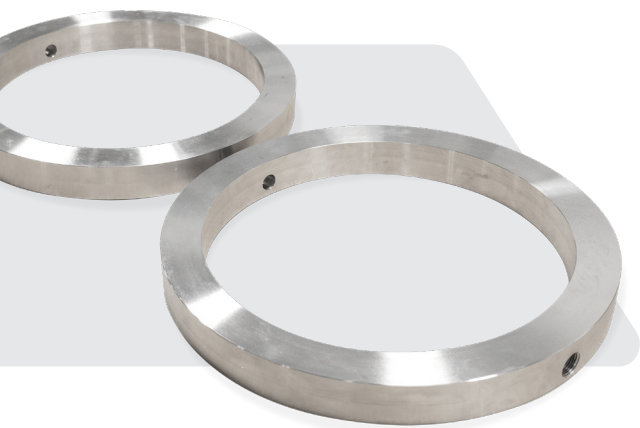
Orifice carriers are designed to be mounted between standard pipe flanges.

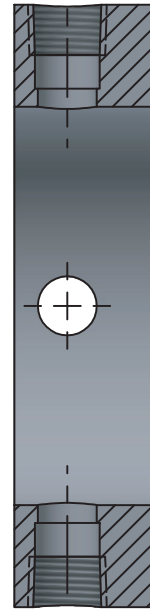
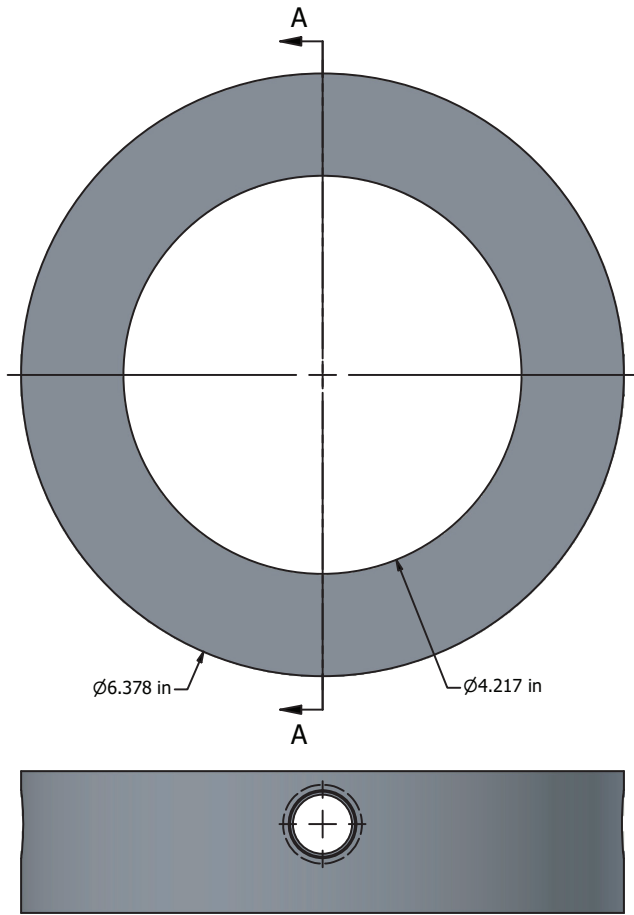
Mac-Weld orifice carrier rings sets are available with flange or corner taps. These offer a low cost solution when compared to alternative options.

We have the ability to manufacturer various types of orifice carrier assemblies, designed to meet your specific job requirements. All of Mac-Weld carrier rings are quality checked and tested for any flaws before they are approved for shipping.

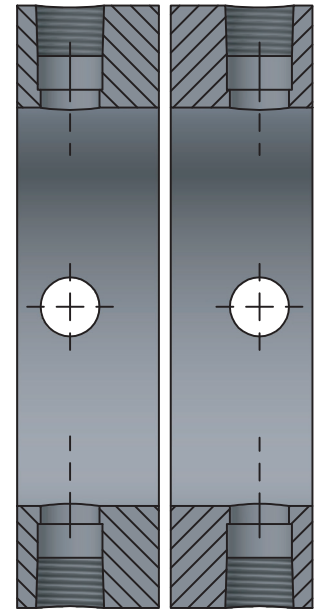
Features:

- Orifice carriers are available in sizes to suite B1 6.5 flanges
- Available with flange or corner taps
- Large selection of materials available
- Available with flange or weld-in connections
- Used in flow measurement of liquid, gas and steam

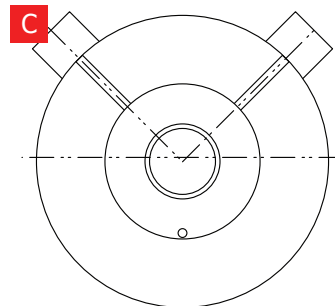
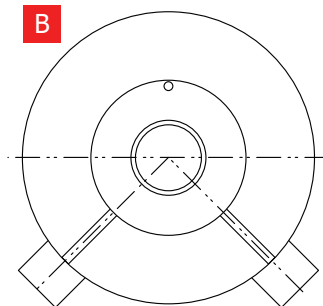
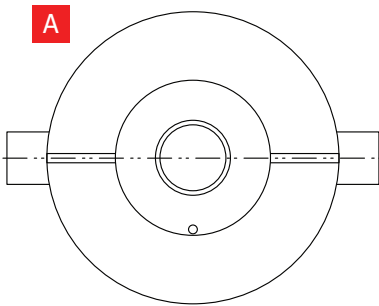




SECTION A-A



CARRIER RING PAIR-SECTION VIEW
FLANGE TAPS



- A. Horizontal
- B. Inclined Down
- C. Inclined Up

Recognized globally for our quality, service and the ability to deliver!