

The promise of precision, every time.



www.mac-weld.com

Revised (01/19/2024)

Flow Meter Grounding Rings

Improves meter performance in lined or non-metallic pipes

Flow meter grounding rings or earth rings, ground the process and reduce noise delivered to the gauge by removing stray energy created by the process flow.

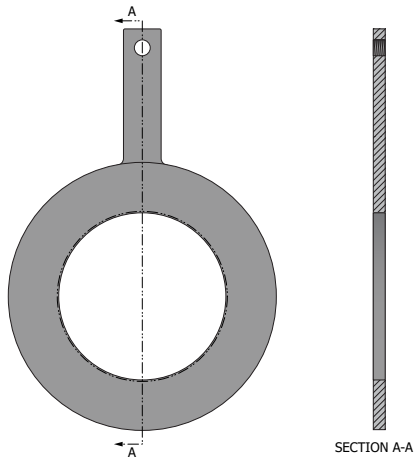
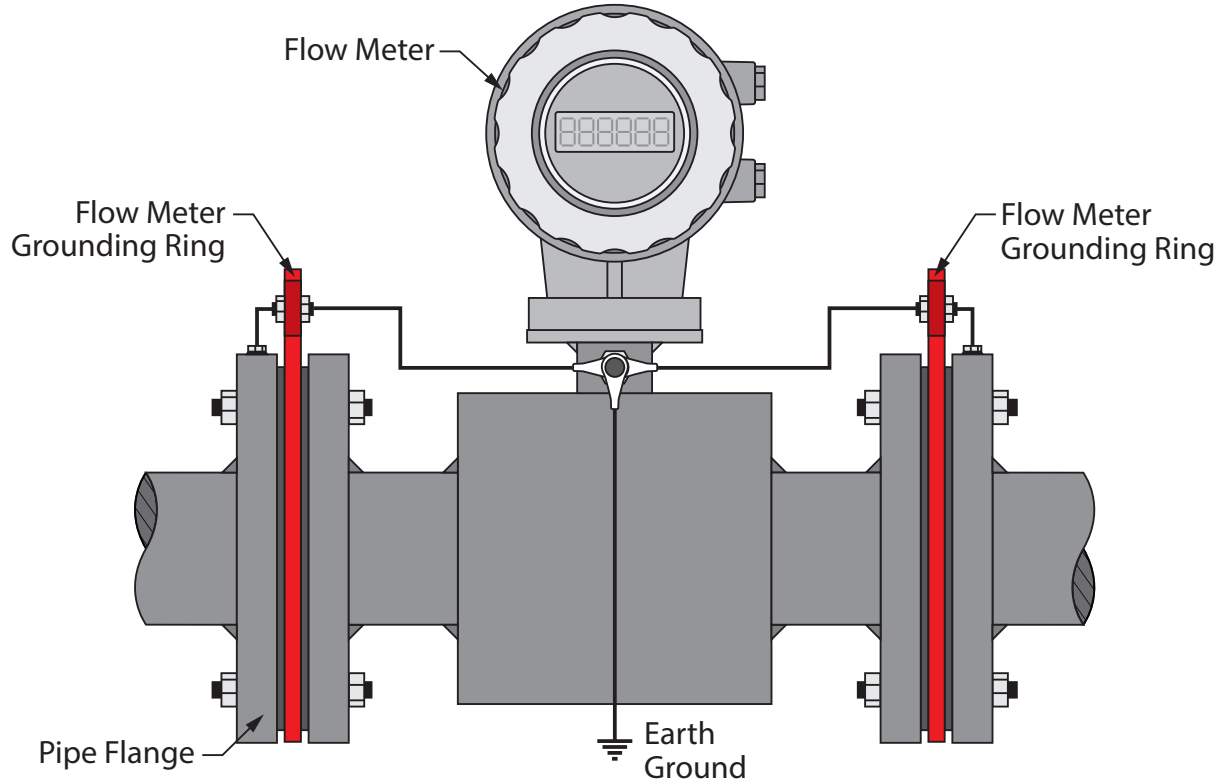
Also known as electromagnetic flow meter earthing rings, they form a connection between the sensor and the pipe to reduce interference and electrical noise in flow meters to help produce accurate readings. Grounding rings should match the meter size, instead of the original pipe size for inline meters.

Mac-Weld flow meter grounding rings are available in pairs, since they need to be installed upstream and downstream in order to be effective reducing electrical noise from the electromagnetic flow meter.

Features:

- Mac-Weld grounding rings are available in pairs
- All rings are inspected for accuracy and any possible imperfections before final approval
- Grounding rings are made from stainless steel, hastelloy and monel, however other materials are available.
- Installation kits available upon special request
- Large selection of materials available





Recognized globally for our quality, service and the ability to deliver!