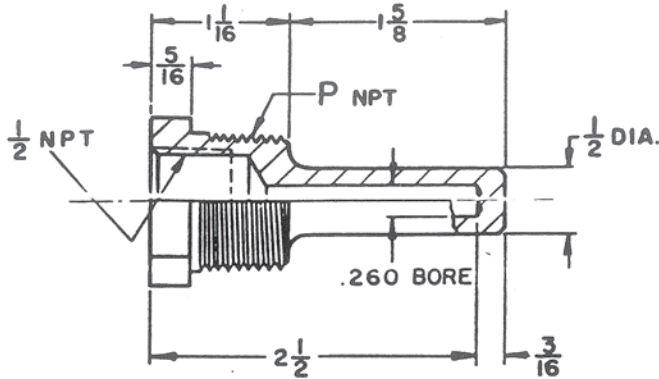


Limited Space Thermowell for 1/4" Diameter Elements

MAc



APPLICATION:

Used where short insertion length is necessary as in short legs of tees etc. This well also fits the 2 1/2" length Bi-metal thermometer with 1/4" stem diameter.

CONNECTION SIZE:

3/4" NPT and 1" NPT external thread. (Not made 1/2" NPT)

STANDARD MATERIALS:

Brass (ASTM B-16); Carbon Steel (C-1020); A.I.S.I. 304/L & A.I.S.I. - 316/L.

CAP & CHAIN:

Brass or stainless steel cap and chain are available to keep bore clean.

Part #	Material	External Thread 'P'
TW01A12L02 TW01A12H02	316SS 304SS	3/4" NPT
TW01A16L02 TW01A16H02	316SS 304SS	1" NPT

NOTE: Not made 1/2" NPT process.