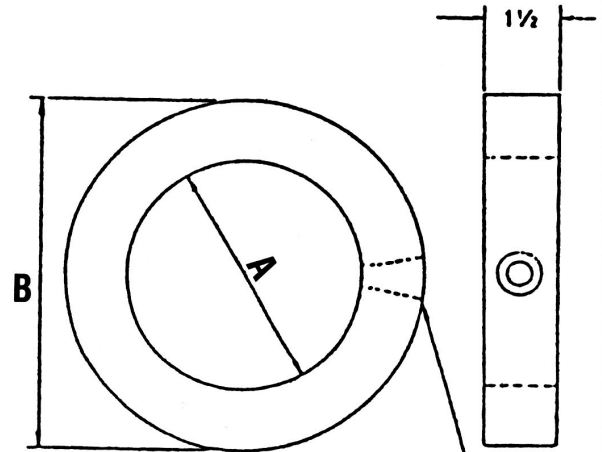


# Bleed Rings

**MAc**

PIPE SIZE	DIMENSIONS IN INCHES							
	150		300		600		900	
	A	B	A	B	A	B	A	B
1	1	2 1/2	1	2 3/4	1	2 3/4	1	3
1 1/2	1 1/2	3 1/4	1 1/2	3 5/8	1 1/2	3 5/8	1 1/2	3 5/8
2	2	4	2	4 1/4	2	4 1/4	2	5 1/2
2 1/2	2 1/2	4 3/4	2 1/2	5	2 1/2	5	2 1/2	6
3	3	5 1/4	3	5 3/4	3	5 3/4	3	6 1/2
4	4	6 3/4	4	6 1/8	4	7 1/2	4	8
5	5	7 5/8	5	8 3/8	5	9 3/8	5	10 1/4
6	6	8 5/8	6	9 3/4	6	10 3/8	6	11 1/4
8	8	10 7/8	8	12	8	12 1/4	8	14
10	10	13 1/4	10	14 1/4	10	15 5/8	10	17
12	12	16	12	16 1/2	12	17 7/8	12	19 1/2
14	13 1/4	17 5/8	13 1/4	19	13 1/4	19 1/4	13 1/4	20 3/8
16	15 1/4	20 1/8	15 1/4	21 1/8	15 1/4	22 1/8	15 1/4	22 1/2
18	17 1/4	21 1/2	17 1/4	23 3/8	17 1/4	24	17 1/4	25
20	19 1/4	23 3/4	19 1/4	25 5/8	19 1/4	26 3/4	19 1/4	27 3/8
24	23 1/4	28 1/8	23 1/4	30 3/8	23 1/4	31	23 1/4	32 7/8

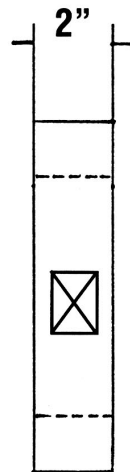
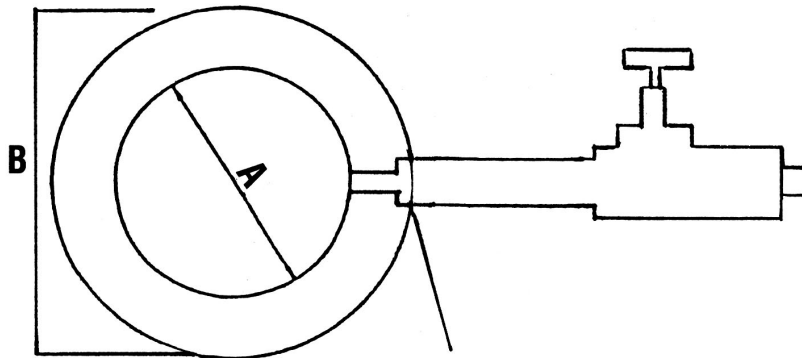


**P/N BR-SIZE-MATERIAL-RATING**

1/2 NPT.  
Drilled 5/8 through STD.  
or advise

# Bleed Ring with Instrument Valve

PIPE SIZE	DIMENSIONS IN INCHES							
	150		300		600		900	
	A	B	A	B	A	B	A	B
1	1	2 1/2	1	2 3/4	1	2 3/4	1	3
1 1/2	1 1/2	3 1/4	1 1/2	3 5/8	1 1/2	3 5/8	1 1/2	3 5/8
2	2	4	2	4 1/4	2	4 1/4	2	5 1/2
2 1/2	2 1/2	4 3/4	2 1/2	5	2 1/2	5	2 1/2	6
3	3	5 1/4	3	5 3/4	3	5 3/4	3	6 1/2
4	4	6 3/4	4	6 1/8	4	7 1/2	4	8



**BRV-SIZE-MATERIAL-RATING-VALVE #**